

PHS West, Inc. Lifter Heavy Duty Series

Innovation Designed Around You

**PHS
WEST
INC.**



Platform

200HD Series | Maximum Weight 200lb.

250HD Series | Maximum Weight 250lb.

The PHS West, Inc. lifter is an enhanced lifter for increased capacity over a standard lifter. Both series are available to meet your material handling needs. The PHS West, Inc. continues the tradition of providing for increased economical, safe, efficient, and ergonomic material handling solutions to assist you with your production needs.

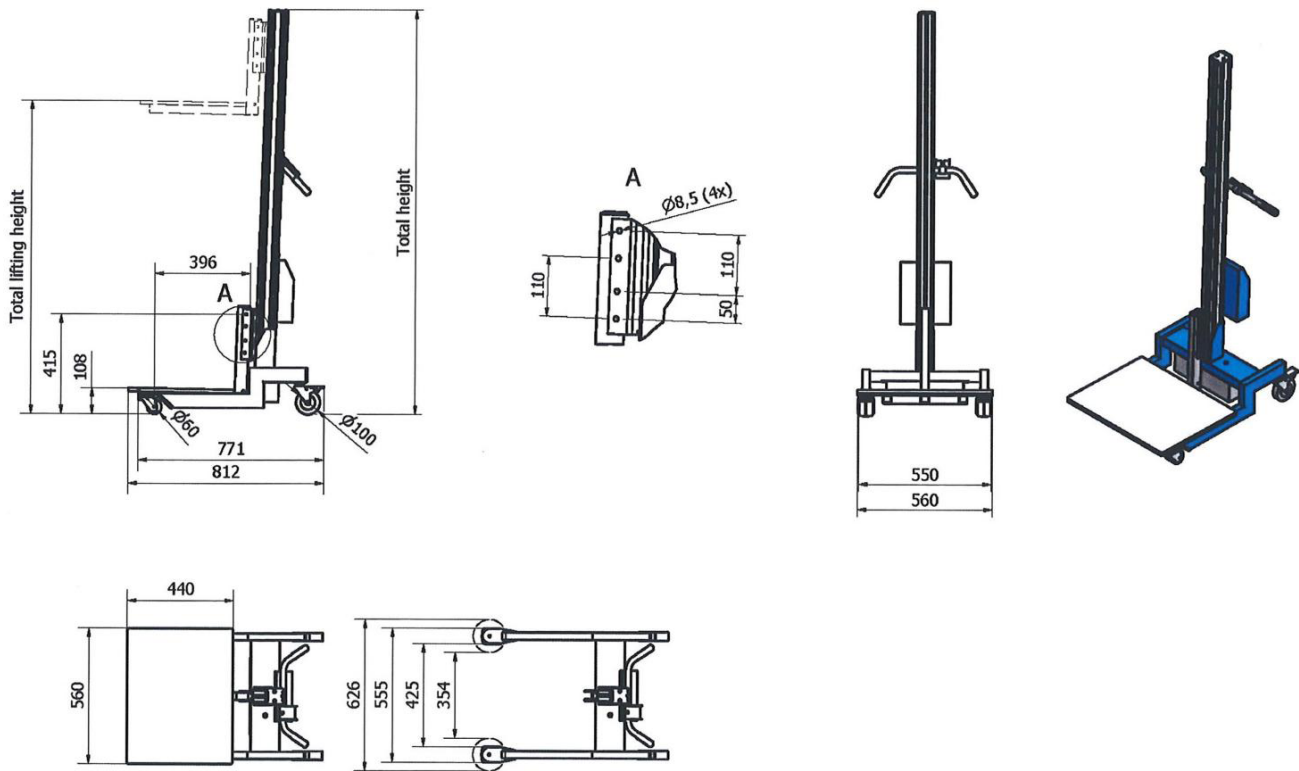
The PHS West, Inc. has a lift capacity of either 90kg (200lb. or 115kg (250lb.)) and provides for improved and expanded flexibility with a wider base and longer legs along with an improved electronic power pack to better fill your ergonomic lifting requirements.

A UHMW load platform (≈20" wide x ≈17.25" deep) is provided for product handling; other selections are available to fit your product handling needs.

Features and Benefits

- Anodized Aluminum Profiles
 - » Lift Masts
- Steel (Powder-Coated Paint: Optional SS)
 - » Welded Base
 - » Handlebar Height Adjustable
 - » Power Pack Cover
- Standard Swivel Casters
- Standard Length Lift Masts
- Foot Operated Kick Brakes on Rear Casters
- Lift Mast Slip Clutch on the down movement provides safe load handling
- Current limiting (no limit switches) provide for load limiting and stops
- Totally enclosed lift mast with ball screw for smooth up and down DC powered movement
- Electronic power pack utilizes quick exchange features allowing for multi-shift operation
- Detachable remote controller
 - » Provides the operator with control over load handling functions
- Handlebar is adjustable by the operators to achieve ergonomic operation
- Highly maneuverable, light-weight (≈90lb.) and easy to operate

PHS West, Inc. Heavy Duty Lifter



Technical Specifications 200HD 250HD Series				
Lift Stroke	Total Lift Height Standard Wheels	Floor to Top of Mast Standard Wheels	Series	Series
1192mm (47")	1678mm (66")	1442mm (56.7")	200HD	250HD
1550mm (61")	1928mm (75.9")	1692mm (66.6")	200HD	250HD
1800mm (70.8")	2178mm (85.7")	1942mm (76.4")	200HD	250HD
2000mm (78.7")	2378mm (93.6")	2192mm (86.2")		250HD
2300mm (90.5")	2678mm (105")	2192mm (86.2")		250HD

Minimum Lift Height Standard	158mm (6.2"), 108mm (4.25")
Lift Speed 200HD Series	90mm/sec (3.5"/sec)
Lift Speed 250HD Series	79mm/sec (3.1"/sec)
Length (without platform)	771mm (30.35")
Load Platform (depth x width)	440mm (17.3") x 560mm (20")
Wheel Diameter (front/back)	60mm (2.3")/100mm (3.9")
Maximum Load 200 IE Series	90kg (200lb.)
Maximum Load 250 IE Series	115kg (250lb.)
Lifter Weight without End-Effector	40kg (90lb.)
Battery Voltage	24V
Battery Capacity	7.2 AHr
Lifter Finish	Powder-Coated Paint/Anodized or Stainless Steel/Anodized

The load platform can, if needed, be mounted 110mm (4.3") higher on the mast yoke. If mounted this way, the platform top, when lowered, would be higher than the standard mounting height.