

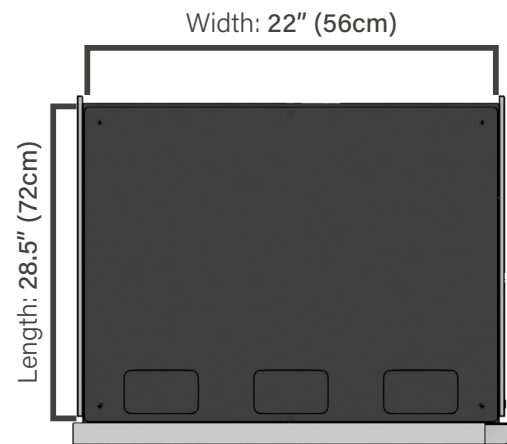
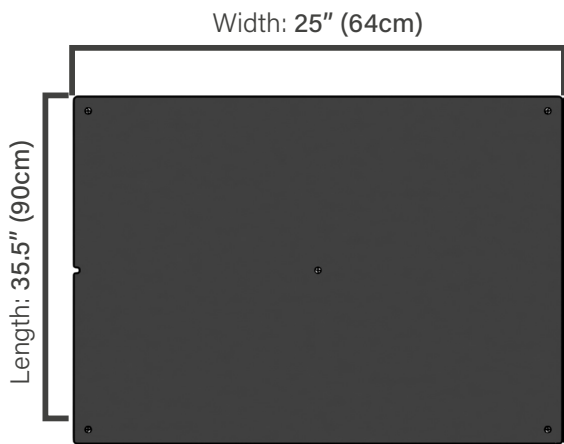
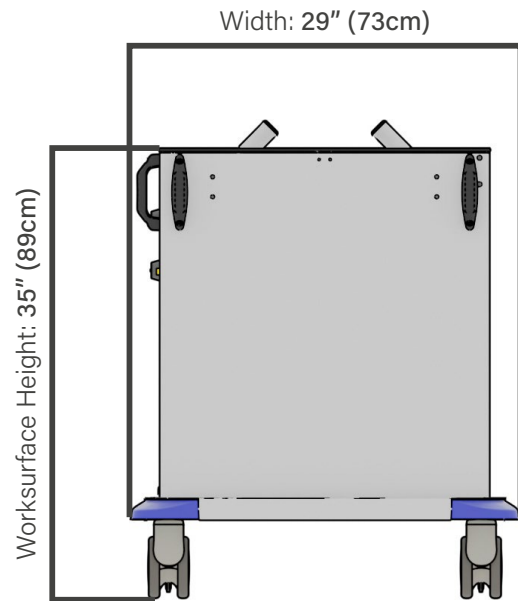
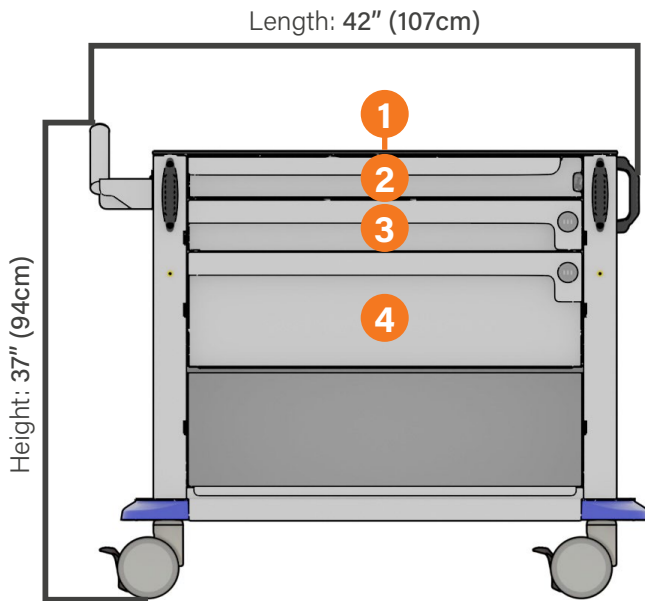


Crash Cart

SPECIFICATIONS

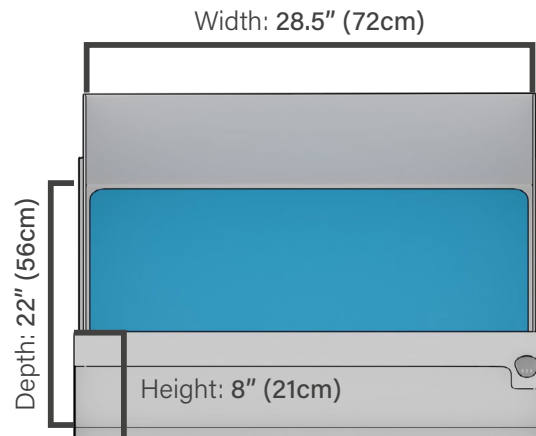
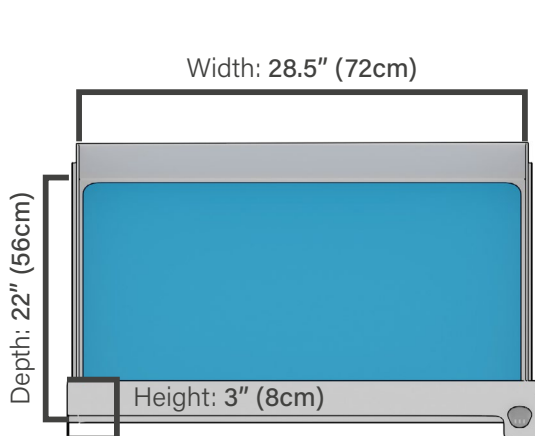
Product Weight: 325lb (147kg)

ESD Compliant: The PHS West Data Center Crash Cart has a surface resistance and surface to ground resistance of $<1 \times 10^9 \Omega$ (ohms). Testing was conducted according to ANSI/ESD S20.20-2021 using a 19290 DESCO Digital Surface Resistance Meter.



1 TOP WORKSURFACE

2 PULL-OUT WORKSURFACE



3 TOOL DRAWER

4 LARGE DRAWER